

*New*

# CROSS BACK APRON COLLECTION

Inspired by our best selling Urban™ aprons



**ChefWorks®**  
Outfitting Hospitality Professionals Worldwide





## Details

Not just for style. We included convenient pockets for quick access, striking metal eyelets which support the ties, removable ties for easy washing and contrasting double stitching for strength.



## Durability

Designed to withstand the pressures of the hospitality industry; tried and tested to ensure resilience, strength and protection.



## Comfort

Cross Back straps provide added comfort by spreading the weight across the shoulders, meaning you can feel comfortable and confident during long shifts.



## DORSET

ANTIQUE WASHED COTTON

PAGE 4

## BOULDER

LEATHER LOOK WAXED DENIM

PAGE 6

## AUSTIN

ENZYME WASHED COTTON

PAGE 8

## ROCKFORD

ENZYME WASHED CANVAS

PAGE 10

## MANHATTAN

COTTON DENIM

PAGE 12

## BRONX

COTTON DENIM

PAGE 14

## MEMPHIS

COTTON DENIM

PAGE 16

## BYRON

COTTON CANVAS

PAGE 18

On him:  
Dorset Pewter | ACRS054-PEW  
Gingham Shirt | D500-WRC

On her:  
Dorset Earth Brown | ACRS054-EAB  
Gingham Shirt | W500-WRC

# DORSET

ANTIQUÉ WASHED COTTON





# DORSET CROSS BACK

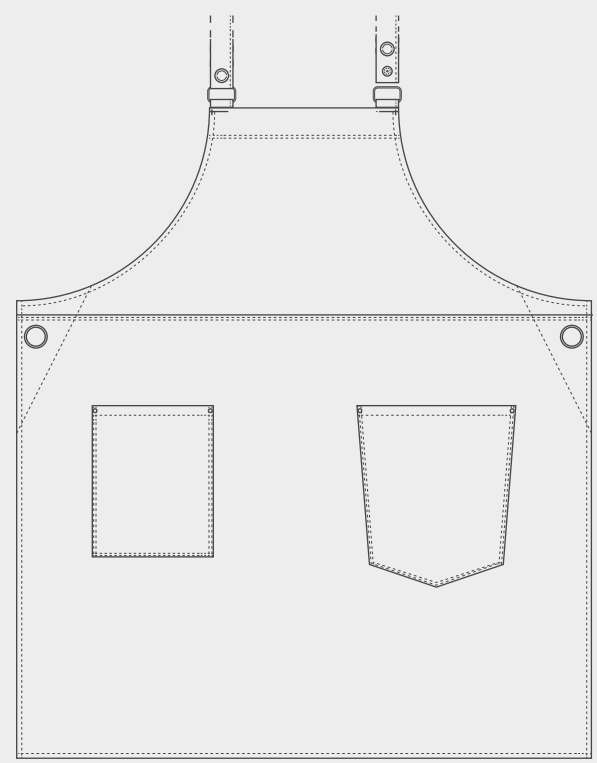


264g 100% cotton • Antique washed finish • 2 hip pockets with riveted ends • Reinforced stress points • Metal eyelets • Removable cross back ties

**SKU:** ACRS054  
**SIZES:** 86cm x 76cm

 **PEW**  
pewter

 **EAB**  
earth brown



On her:  
Boulder Black/Brown | ACRS051-BNB  
Chambray Shirt | SLWCH002-ECR

# Boulder

LEATHER LOOK WAXED DENIM



## BOULDER CROSS BACK



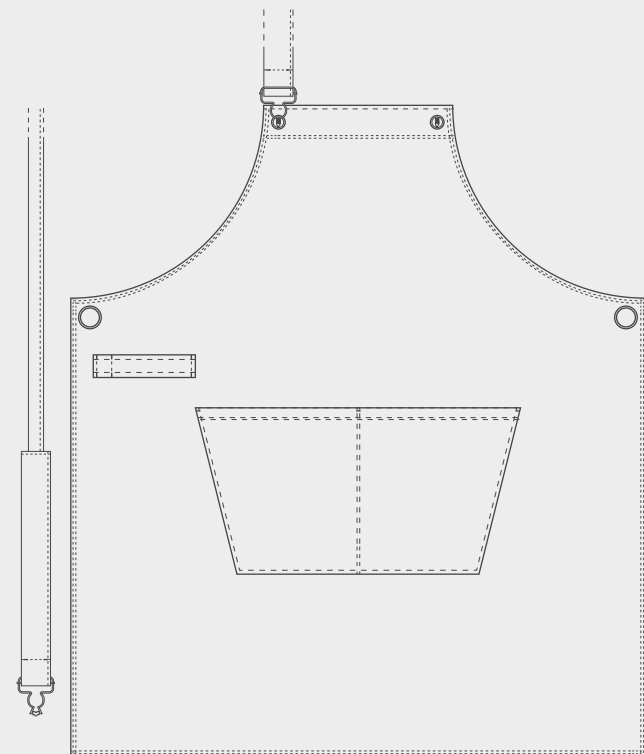
366g 100% cotton denim • Waxed finish look • Towel loop • Reverse fabric ties • Reinforced stress points • Overall clips • Double front pocket • Metal eyelets • Removable cross back ties

**SKU:** ACRS051-BNB

**SIZES:** 86cm x 76cm



**BNB**  
black/brown



On him:  
Austin Natural | ACRS056-NAT

# AUSTIN

ENZYME WASHED COTTON





## AUSTIN CROSS BACK



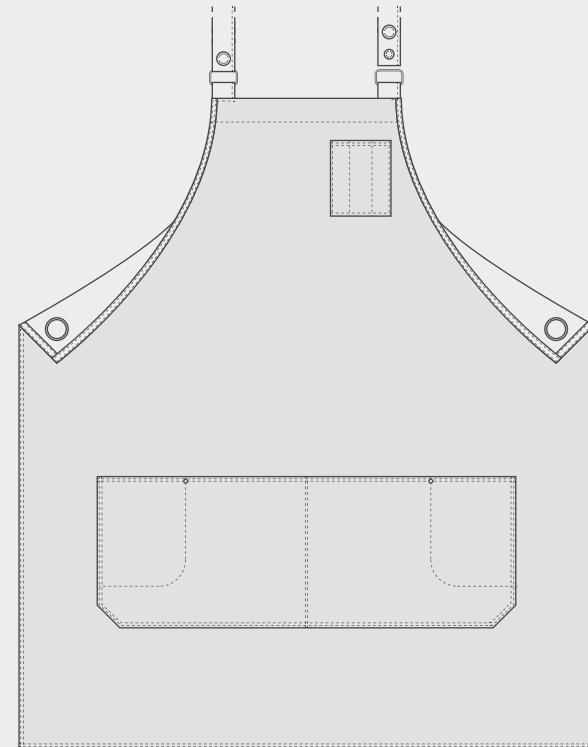
339g 100% cotton denim enzyme washed fabric • Reverse fabric ties • Chest pocket • Double front pocket • Reinforced stress points • Metal eyelets • Removable cross back ties

**SKU:** ACRS056-NAT

**SIZES:** 86cm x 76cm



**NAT**  
natural



On her:  
Rockford Nutmeg | ACRS053-NTM  
Gingham Shirt | W500-BWC

ENZYME WASHED CANVAS

# ROCKFORD



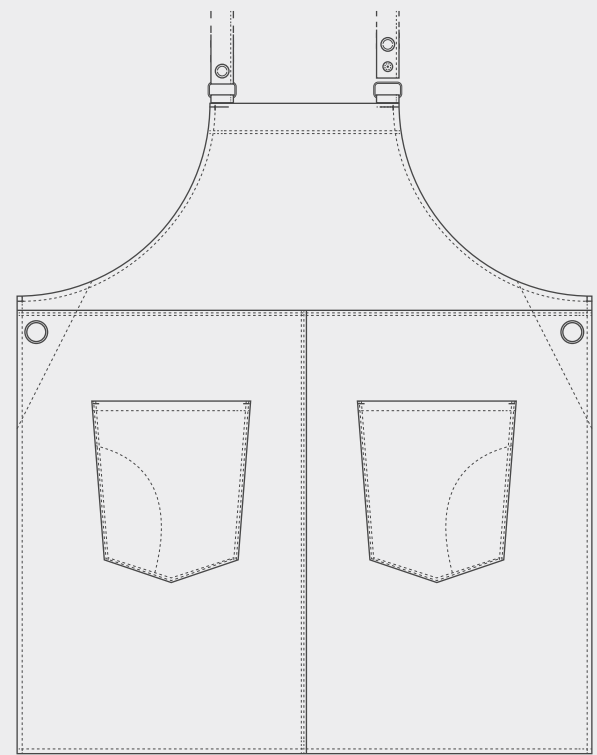
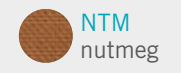
# ROCKFORD CROSS BACK



315g 100% cotton enzyme washed canvas • 2 hip pockets with saddle stitching detail • Reinforced stress points • Metal eyelets • Removable cross back ties

**SKU:** ACRS053

**SIZES:** 86cm x 76cm



On him:  
Manhattan Black | ACRS034-BLK  
Gingham Shirt | D500-BWC

On her:  
Manhattan Indigo Blue | ACRS034-IBL  
Gingham Shirt | W500-BWC

# MANHATTAN

COTTON DENIM



# MANHATTAN CROSS BACK



220g 100% cotton denim • Reverse fabric ties & pockets • Riveted pocket ends • Zipper chest pocket • Reinforced stress points • Metal eyelets • Removable cross back ties

**SKU:** ACRS034

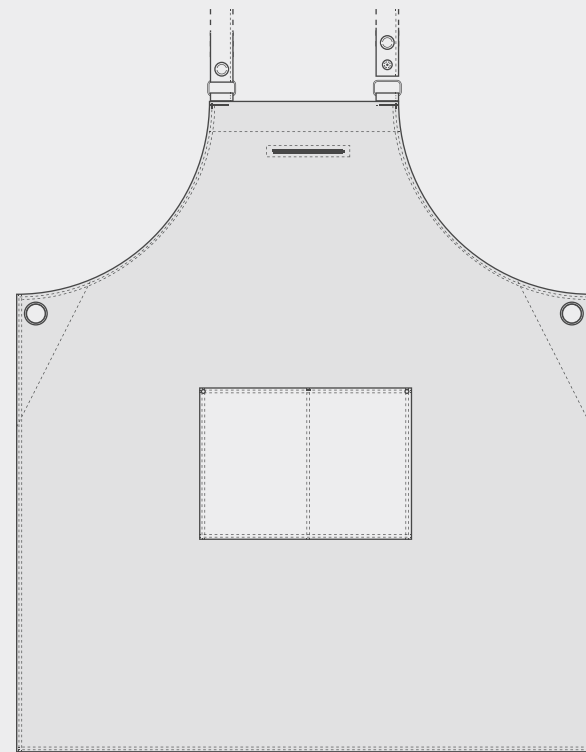
**SIZES:** 86cm x 76cm



**BLK**  
black



**IBL**  
indigo blue



On him:  
Bronx Black | ACRS041-BLK  
Chambray Shirt | SLMCH005-GRY

On her:  
Bronx Indigo Blue | ACRS041-IBL  
Universal Shirt | CSWV-WHT

# BRONX

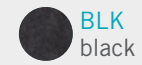
COTTON DENIM

# BRONX CROSS BACK

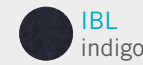


281g 100% cotton denim • Reverse fabric ties • Belt loops • Selvage edge pocket • Riveted pocket ends • Double front pocket • Chest pocket • Reinforced stress points • Metal eyelets • Removable straps

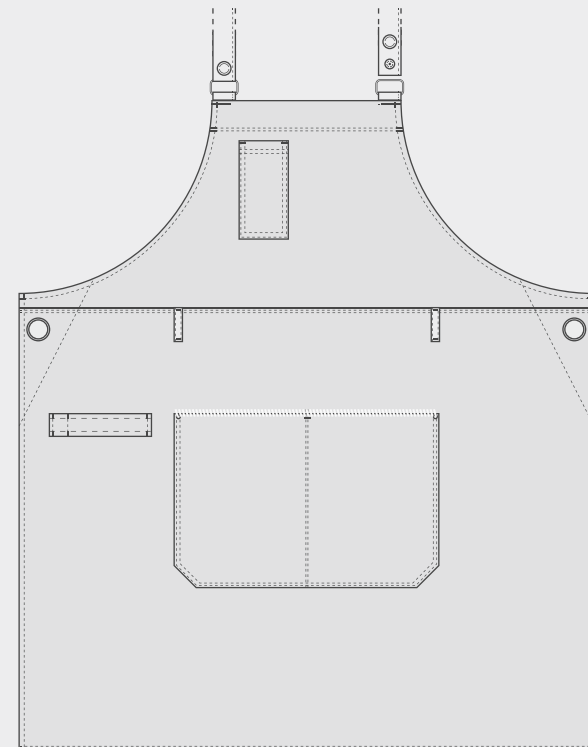
**SKU:** ACRS041  
**SIZES:** 86cm x 76cm



**BLK**  
black



**IBL**  
indigo blue





# MEMPHIS

COTTON DENIM

BREAKFAST		COFFEE		LUNCH	
Black	3.5	Sourdough	4.5	Smoked salmon w/ beetroot	10
White	small 3.5 large 4	Whole grain		Smoked salmon w/ beetroot	10
Filter	4	Whole grain		Smoked salmon w/ beetroot	10
Daily juices	4	Whole grain		Smoked salmon w/ beetroot	10
		Whole grain		Smoked salmon w/ beetroot	10





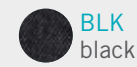
# MEMPHIS CROSS BACK



281g 100% cotton denim • Contrast topstitching • Contrast tape ties • Criss-cross bar tacks • Chest pocket • Double front pocket • Reinforced stress points • Metal eyelets • Removable cross back ties

**SKU:** ACRS035

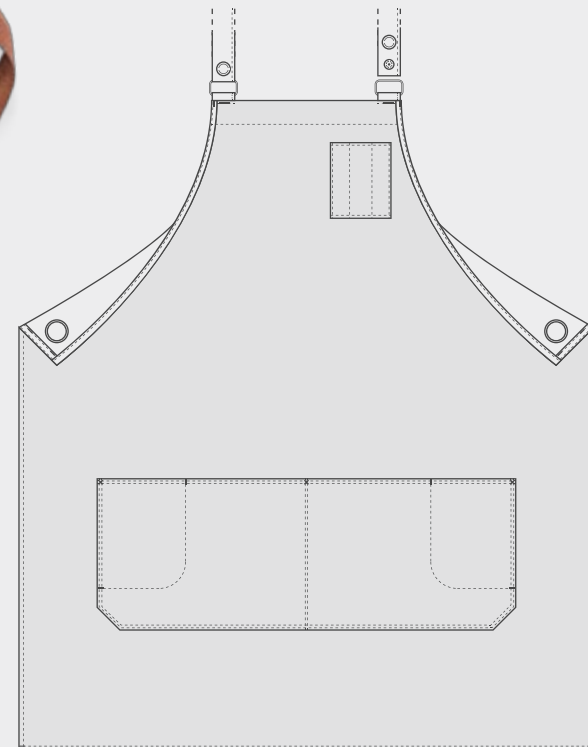
**SIZES:** 86cm x 76cm



**BLK**  
black



**IBL**  
indigo blue



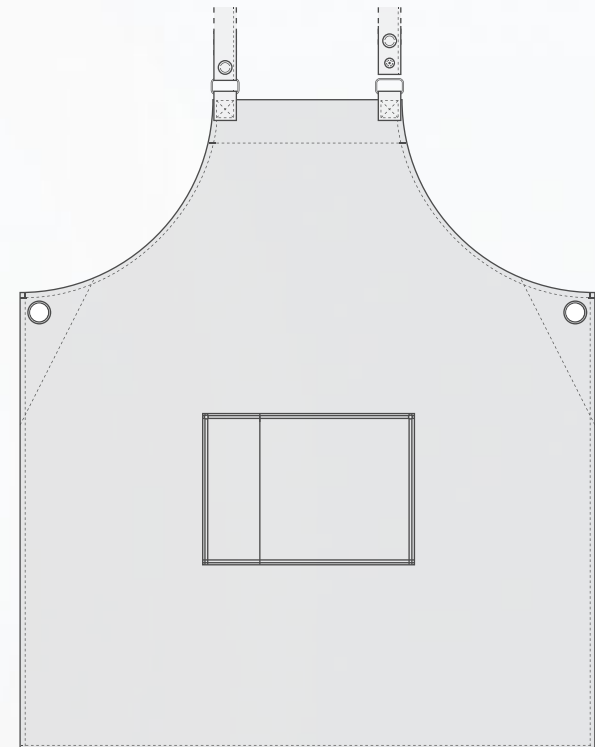
# BYRON

## CANVAS CROSS BACK



315gm2 • 100% cotton • Removable cross back ties • Contrast ties • Metal eyelets • Front pocket • Riveted pocket ends

**SKU:** ACRS602 | **SIZES:** 86cm x 76cm





KHA

GRY

NAV

BRO

NAT

### About Chef Works

Chef Works is dedicated to providing the most fashion-forward, affordable, and durable uniforms worldwide.

With the widest range of hospitality uniforms in Australia; Chef Works outfit café and restaurant teams across the country in trend-setting uniforms individual to them.

Our core values drive our passion for this industry; integrity, loyalty, customer focus, teamwork and innovation.

### Stay connected

facebook • linkedIn • instagram • pinterest

### Special thanks to:

Emmka Watson, Hayden Rhys

### Location:

Fossix Coffee, Sydney, NSW

### Photography:

Sergio Calcara



# Chef Works®

Outfitting Hospitality Professionals Worldwide

Contact us to find the closest distributor.

On her:  
Gingham Shirt | W500-WRC  
¼ Waist Apron | AW047-IBL

On him:  
Gingham Shirt | D500-BWC  
½ Waist Apron | AW046-IBL