

Technical data sheet for

SINGLE PAN GAS PASTA COOKER 450mm

G47

- High performance single pan pasta cooker
- Patented infra-red burner system
- Easy clean 316 grade stainless steel open pan with 10 year limited warranty
- 40L water capacity
- Integrated water fill and starch skimming water faucet
- Four stainless steel pasta baskets supplied
- Hinged basket drain stand
- Safety cut-out thermostat for empty pan/water boil out
- Stainless steel exterior
- Easy clean
- Easy service
- Fully modular



G47

Overall Construction

- Pan 1.5mm 316 stainless steel with 10 year limited warranty
- Bull nose welded 1.5mm 304 stainless steel
- Splashback 1.2mm 304 stainless steel
- Side panels 1.2mm 304 stainless steel
- Double skin door with 0.9mm 304 stainless exterior
- 25mm (1") skimming overflow and pan drains drain valve
- 63mm dia. heavy-duty 1.2mm 304 stainless steel legs with adjustable feet
- 4 stainless steel baskets with moulded handles
- 304 stainless steel wire basket support grid in pan

Controls

- Large easy to use knob - heat resistant reinforced
- Variable high boil to standby simmer burner control
- Fine adjustment water faucet for pan filling and water refreshing/starch skimming
- Pan protection safety cut-out thermostat
- Millivolt gas valve system (no electrical supply)
- Flame failure protection on pilot
- Piezo ignition to standing pilot burner

Cleaning and Servicing

- Open stainless steel pan for easy clean
- Hinged basket drain stand
- Removable basket support grid
- 25mm (1") drain valve for effective draining
- Easy clean stainless steel exterior
- Access to all parts from front of unit

Technical data sheet for SINGLE PAN GAS PASTA COOKER 450mm

Specifications

Pan Size

Water capacity 40L
Width 365mm
Length 405mm
Basket immersion depth 165mm

Baskets

4 stainless steel perforated baskets with moulded plastic handles 165mm square x 180mm deep
Stainless steel wire basket support grid

Burners

1 x infra-red burner

Gas Power

47MJ/hr, 13kW Natural gas
46MJ/hr, 12.8kW LP gas

Gas Connection

R³/₄ (BSP) male.
All units supplied with Natural and LP gas regulator

Water Connection

Cold water connection 50mm from left hand side,
556mm from rear and 140mm from floor

R¹/₂ (BSP) male

Drain Connection

Drain must be connected to system suitable for boiling water discharge
1" BSP Male connection 118mm from left hand side,
470mm from rear, and 165mm from floor

Dimensions

Width 450mm
Depth 812mm
Height 915mm
Incl. splashback 1085mm

Nett weight

82kg

Packing data

0.54m³, 124kg
Width 870mm
Depth 495mm
Height 1255mm

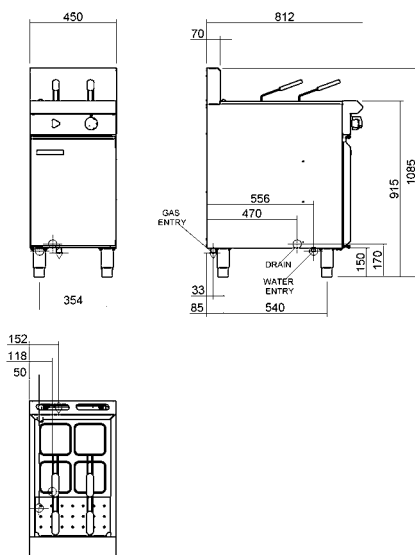
Gas types

Available in Natural gas and LP gas, please specify when ordering
Units supplied complete with gas type conversion kits
Other gas types on request

Options

Rectangular baskets 320mm x 165mm
Side splash guards
Joining caps

G47



MOFFAT

Australia
www.moffat.com.au
New Zealand
www.moffat.co.nz

www.bluesealevolution.com

Australia
Moffat Pty Limited

Victoria/Tasmania
740 Springvale Road
Mulgrave, Victoria 3170
Telephone 03-9518 3888
Facsimile 03-9518 3833
vsales@moffat.com.au

New South Wales
Telephone 02-8833 4111
nswsales@moffat.com.au

South Australia
Telephone 03-9518 3888
vsales@moffat.com.au

Queensland
Telephone 07-3630 8600
qldsales@moffat.com.au

Western Australia
Telephone 08-9202 6820
bgarcia@moffat.com.au

New Zealand
Moffat Limited

Christchurch
16 Osborne Street
Christchurch 8011
Telephone 03-389 1007
Facsimile 03-389 1276
sales@moffat.co.nz

Auckland
Telephone 09-574 3150
sales@moffat.co.nz



Designed and manufactured by

MOFFAT

ISO9001

All Blue Seal products are designed and manufactured by Moffat using the internationally recognised ISO9001 quality management system, covering design, manufacture and final inspection, ensuring consistent high quality at all times.



AGA Cert 7027

In line with policy to continually develop and improve its products, Moffat Limited reserves the right to change specifications and design without notice.

Printed in China
© Copyright Moffat Ltd
Moffat / 7.09 / 1140



BLUE SEAL EVOLUTION SERIES