

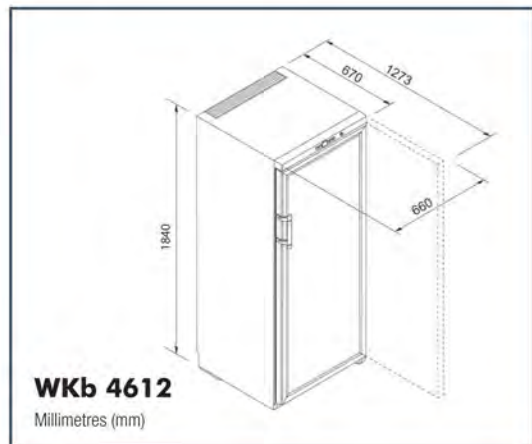


Model	WKb 4612
Type   Category	FS   Barrique
Finish	Black
°Energy consumption (kWh/yr)   24hr	°204   0.558
△ Bottle capacity (750ml Bordeaux)	195
Safety glass door	•
MagicEye control system   Display	•   LED
Digital temperature display	External
Tinted glazed door	Double
Temperature zones	1
Temperature range (°C) Min   Max °C	5   20
Suitable for ambient temperature Min   Max °C	10   38
Interior light	Vertical LED
Hand crafted beech wood shelves	6
Base shelves	1
Recirculated air cooling	•
Fresh air supply via activated charcoal filter	•
Child proof lock (control panel)	•
Ergonomic SlimLine handles	•
Reversible door hinges	•
Key lock	•
Label holders	•
Compressors	1
Door open warning signal	•
Temperature alarm	•

### Technical Information

Default hinge	Right Reversible
Gross weight (kg)   Net weight (kg)	96   86
Height (mm)	1840
Width (mm)	660
Depth (mm)	670
Voltage (V)   Rated Current (A)	220-240   1.0
Made in	Malaysia

KEY: FS = Freestanding, ° = Measurements taken at +25°C ambient and +12°C interior temperature tested by Liebherr Germany (not to Australian standards), △ = Based on Bordeaux 750ml bottle - capacity may vary depending on bottle shape and size.



**WKb 4612**

Millimetres (mm)

If building into cavity, please note the below requirements:

Minimum air space above cabinet (mm):	50mm
Minimum air space behind cabinet (mm):	50mm
Minimum air space on sides of cabinet (mm):	15mm