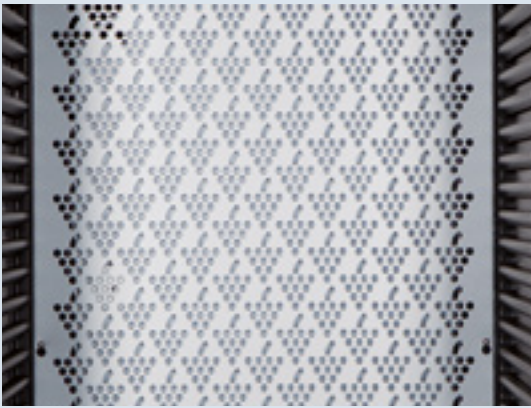


Superb Conditions
For Fine Wines

Quality, Design and Innovation



LIEBHERR



Optimum humidity: Liebherr wine cabinets guarantee an optimum humidity and this ensured the corks are supple in place whilst still allowing the wine to breathe in its maturing process.



LED lighting: The tinted glass door provides not only a perfect UV protection, but also an optimum glance at wine. The integrated LED lighting ensures a pleasant illumination of the complete interior.



Wooden shelves: The wooden shelves are ideal for storing Bordeaux bottles. They can be stored in opposite directions to make full use of the capacity.

The **Wkb 1712** wine cabinet, our most compact model from the Barrique series, can store up to 60 Bordeaux bottles. This unit ensures a constant temperature that can be set between +5 °C to +20 °C. Wines are stored optimally on three untreated height-adjustable wooden shelves. The activated charcoal filter is easy to replace and provides optimal air quality. Thanks to a tinted insulated glass door, high-quality wines are well protected from UV radiation. The LED lighting ensures that the interior is illuminated evenly and pleasantly so wines can be presented with illumination even over a longer period. The ergonomic slimline door handle with integrated opening mechanism ensures that the door is quick and easy to open with very little effort.

Wkb 1712

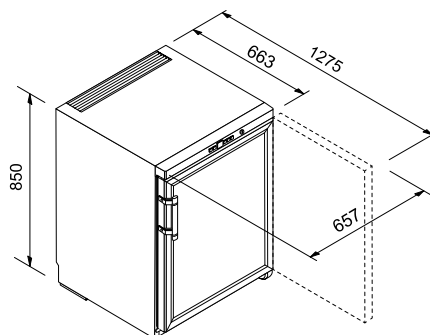
Barrique

LED

Wine

Energy consumption (kWh/y)	149
Sound rating dB(A) *	40
Total capacity litre	121
Max No. of Bordeaux bottles (0.75l) **	60
Number of shelves	3
Shelves on telescopic rails	0
Shelf material	Beech wood shelves
Presentation shelf	0
Electronic control	LCD display, key electronic
Temperature range °C	+5°C to +20°C
Temperature zones	1
Temperature alarm	Visual and audible
Interior light	LED
Door alarm	Audible
Safety thermostat	Yes
Activated charcoal filter	Yes
Door type	Tinted glazed door, black frame
Integrated lock	Yes
SoftSystem	No
Door hinges	Right, reversible
Product dimensions (H/W/D) cm	85 / 65.7 / 66.3
Gross / Net weight kg	50 / 45
Voltage V/Hz	220-240 / 50

Installation Diagram



Activated Charcoal Filter
Part no.: 988129100

* Noise output - according to EN 60704-3

** These models are only bound for storing wine. Max. DIN norm bordeaux bottle capacity (0.75 l) as per norm NF H 35-124 (H:300.5 mm, Ø 76.1mm)